



announces

POLYTRON multiswitches – the whole world of entertainment in reliable receiving systems

GREEN LINE

PSG 1724 C
All in 1: 200MHz
SAT-Multiswitch für 16 SAT-2F-Einheiten und Terrestrial
SAT-Empfänger für 16 SAT-Empfänger und Terrestrial
SAT-Empfänger für 16 SAT-Empfänger und Terrestrial

PSG 1717 AMP
All in 1: 200MHz
SAT-Multiswitch für 16 SAT-2F-Einheiten und Terrestrial
SAT-Empfänger für 16 SAT-Empfänger und Terrestrial

PSG 924 C
All in 1: 200MHz
SAT-Multiswitch für 16 SAT-2F-Einheiten und Terrestrial
SAT-Empfänger für 16 SAT-Empfänger und Terrestrial

PolySwitch PSG 909 AMP
All in 1: 200MHz
SAT-Multiswitch für 16 SAT-2F-Einheiten und Terrestrial
SAT-Empfänger für 16 SAT-Empfänger und Terrestrial

PSG 908 Q
All in 1: 200MHz
SAT-Multiswitch für 16 SAT-2F-Einheiten und Terrestrial
SAT-Empfänger für 16 SAT-Empfänger und Terrestrial

PSG 508 Q
All in 1: 200MHz
SAT-Multiswitch für 16 SAT-2F-Einheiten und Terrestrial
SAT-Empfänger für 16 SAT-Empfänger und Terrestrial

PSG 516 C
All in 1: 200MHz
SAT-Multiswitch für 16 SAT-2F-Einheiten und Terrestrial
SAT-Empfänger für 16 SAT-Empfänger und Terrestrial

All types available from stock!

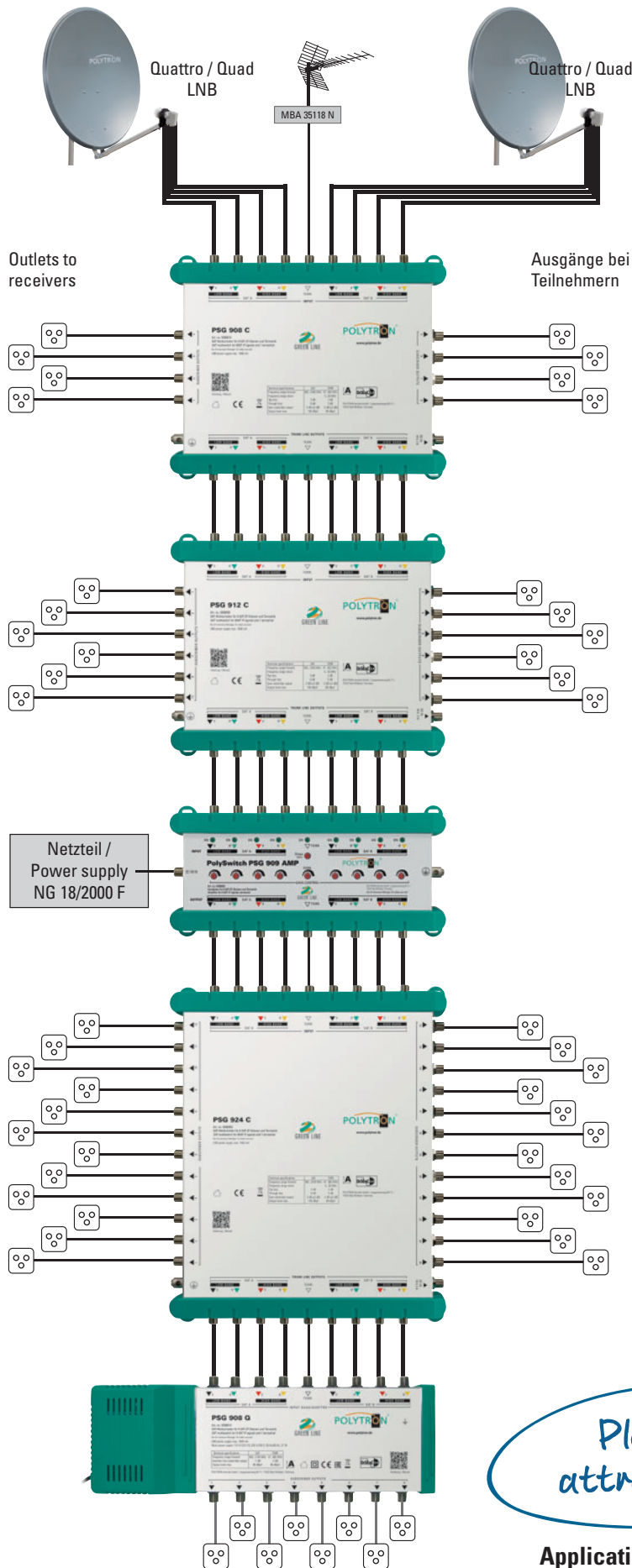
POLYTRON-Vertrieb GmbH
Postfach 10 02 33
75313 Bad Wildbad, Germany

Ordering
Technical Hotline
Fax

+49 (0)7081 / 17 02-0
+49 (0)7081 / 17 02-77
+49 (0)7081 / 17 02-50

Email info@polytron.de

<http://www.polytron.de>



Green Line Multiswitches

Reliable components in addition to correct planning are the most important quality factors when setting up multiswitch systems. The new Green Line multiswitches guarantee the best quality and maximum reliability. The new multiswitch series contains high-quality 5, 9 and 17 single and cascade multiswitches as well as matching amplifiers. With POLYTRON multiswitches, powerful and flexible reception and distribution systems can be implemented on a satellite IF basis.

5 Inputs, stand-alone multiswitch:

PSG 508 Q	article no. 9268007
PSG 512 Q	Article no. 9268009
PSG 516 Q	Article no. 9268011
PSG 524 Q	Article no. 9268012
PSG 532 Q	Article no. 9268013

5 Inputs, cascade multiswitch:

PSG 508 C	Article no. 9268000
PSG 512 C	Article no. 9268003
PSG 516 C	Article no. 9268005

Line amplifier 5 Inputs:

PSG 505 AMP	Article no. 9267998
-------------	---------------------

9 Inputs, stand-alone multiswitch:

PSG 908 Q	Article no. 9268014
PSG 912 Q	Article no. 9268015
PSG 916 Q	Article no. 9268016
PSG 924 Q	Article no. 9268017
PSG 932 Q	Article no. 9268018

9 Inputs, cascade multiswitch:

PSG 908 C	Article no. 9268010
PSG 912 C	Article no. 9268030
PSG 916 C	Article no. 9268040
PSG 924 C	Article no. 9268050

Line amplifier 9 Inputs:

PSG 909 AMP	Article no. 9268060
-------------	---------------------

17 Inputs, cascade multiswitch:

PSG 1708 C	Article no. 9268220
PSG 1716 C	Article no. 9268240
PSG 1724 C	Article no. 9268021
PSG 1728 C	Article no. 9268022

Line amplifier 17 Inputs:

PSG 1717 AMP	Article no. 9268250
--------------	---------------------

Terminating set for multiswitch systems

PSG-TS 17	Article no. 9268024
-----------	---------------------

Please ask for our attractive bulk prices!

Application example 9 inputs. You can get more information or ideas for system planning from our experts. Contact us, we're glad to help!